

Valves / Ball Valves / Ball Valves - for Flammable Gases (Female-Male)

CONSTRUCTIVE PROPERTIES

	STANDARD	OPTIONAL
Case	Brass Nickel Coated	-
Ball	Brass Chrome Plated	-
Handle	Steel	-
Ball Seats	PTFE (Teflon)	-
Transmission Shaft	Brass Nickel Coated	-

USAGE PROPERTIES

Conformity	TS EN 331	-
Operating Temperature	-	-
Max.Pressure	5 bar	-

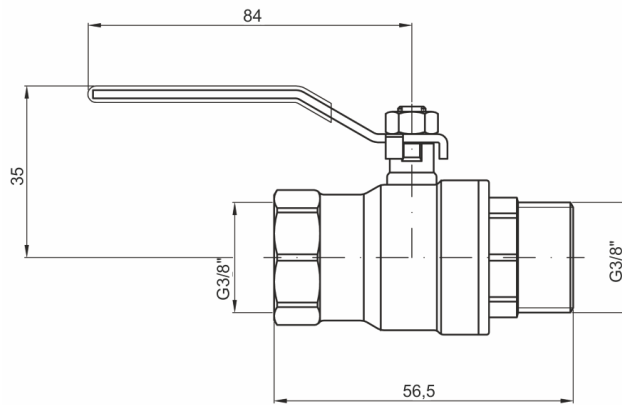


0924110500

Ball Valves - for Flammable Gases
(Female-Male)

www.Laheghi.com

Valves / Ball Valves / Ball Valves - for Flammable Gases (Female-Male)



Model No: 0924110500

www.Laheghi.com

Ball Valves / Flammable

▶ Ball Valves

Usage Temperature

-40°C + 60°C

Usage

F-M Full Flow

Areas of Usage

Flammable gases, natural gas

Nominal Pressure

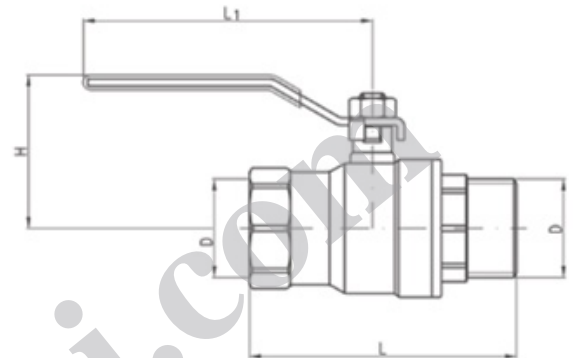
Mop 5

Connection Sizes

DIN ISO 228/1

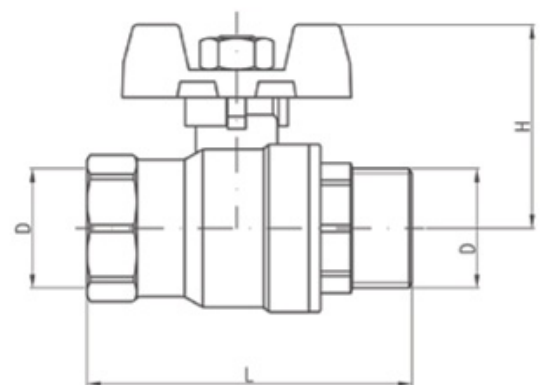
Optional

NPT, BSPT



Connection Sizes

Code #	D.	L.	L1	H	Kg.
0924110500	G 3/8"	56,5	84	35	0,146
0927110500	G 1/2"	64,5	97	44	0,197
0930110500	G 3/4"	72	97	46,5	0,286
0933110500	G 1"	86	117	52	0,520
0936110500	G1 1/4"	101,5	117	57	0,506



Connection Sizes

Code #	D	L	H	Kg
0924111500	G 3/8"	56,5	37	0,133
0927111500	G 1/2"	64,5	41	0,170
0930111500	G 3/4"	72	44	0,258
0933111500	G 1"	86	52,5	0,480
0936111500	G1 1/4"	101,5	58	0,930